



USER MANUAL

K9 LIGHTS



LABRADOR

Index

Introduction 1

Safety Instructions..... 1

Fixture Diagram..... 2

Features 3

DMX Control..... 3

Display 6

Menu 6

Connecting Fixtures 9

Connecting Diagram..... 10

Technical specification 10

Optional Accessories..... 11

Please read over this manual before operating the light

Introduction

Thank you for purchasing the K-9 Labrador fixture. Please read these instructions carefully before using or operating the fixture to avoid any possible damage or accidents.

Product introduction

The K-9 Labrador is an LED PAR 64 hard-body, Outdoor fixture. The Labrador uses high power 8W RGBW 4-in-1 LED's. Each color can be independently controlled including dimmer, strobe, gradual change and fading. The fixture also includes slave functionality and DMX addressing.

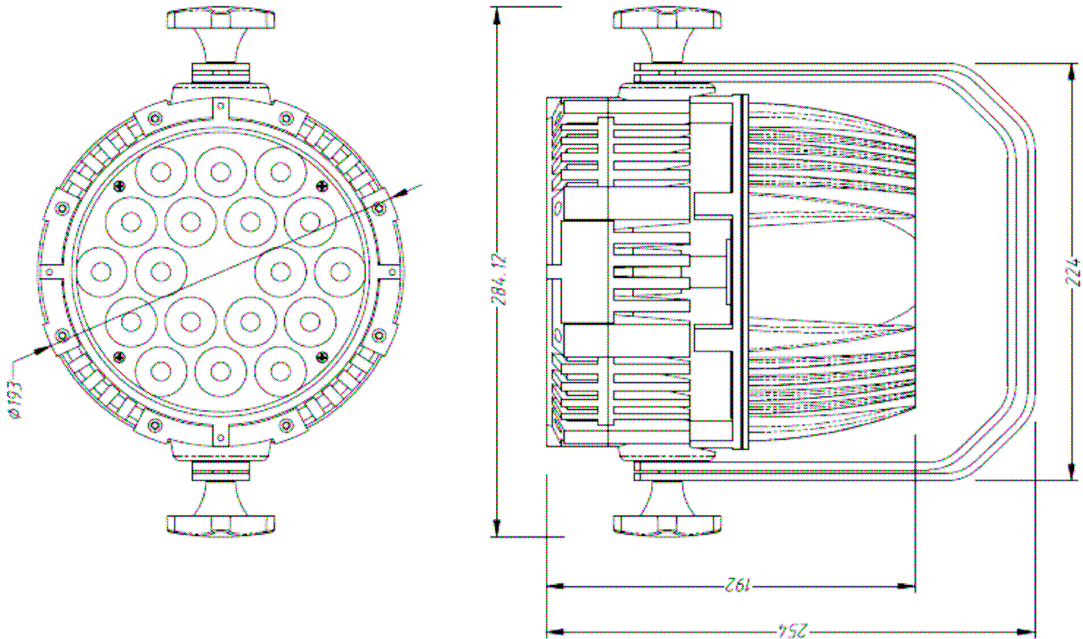
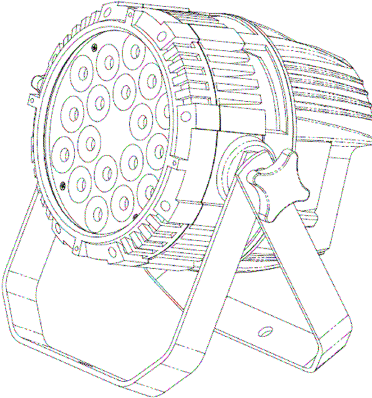
➤ Packing List

- Labrador Fixture
- 5' Data Cable
- User Manual

Safety Instructions

- No user serviceable parts inside. Speak with a skilled professional before attempting any repair.
- Disconnect from the power source before setting up or moving.
- Avoid direct eye exposure to the fixture when it is on.
- Make sure the power supply voltage is consistent with this light, rated at 110v/60hz
- This light is designed for indoor use. Working temperature should be lower than 100°F.
- The fixtures may be mounted in any position provided there is adequate room for ventilation. Make sure there are no flammable or explosive items with 2 feet of fixture.
- Grounding is important for proper fixture operation.
- If your Labrador is in a continuous use environment with atmospheric particulates like fog, smoke or dirt, be sure to inspect and clean the heat sink with compressed air as necessary.

Fixture Diagram



Features

- High quality LED: low consumption, bright 8 watt LEDs, even field, long life
- Fully dimmable 0 – 100%
- Adjustable strobe rate
- DMX controlled, addressable from the LED display
- Auto run / sound activated / master slave / interconnected multi control
- Uses switching power supply to protect LEDs
- Lens degree: 25° or 45°
- DMX512 – Channel Modes – 3, 4, 5, 8, or 9
- Protection grade: IP65
- Body color: black

DMX Control

➤ 3 Channel Mode

Channel	DMX Value	Control Function	Remarks
1CH	0-255	RGB color mixing	Hue
2CH	0-255	W Dimming 0-100%	Color Saturation
3CH	0-255	General dimming 0-100%	purity

➤ 4 Channel Mode

Channel	DMX Value	Control Function	Remarks
1CH	0-255	R 0-100%	
2CH	0-255	G 0-100%	
3CH	0-255	B 0-100%	
4CH	0-255	W 0-100%	

➤ 5 Channel Mode

Channel	DMX Value	Control Function	Remarks
1CH	0-255	General dimming	
2CH	0-255	R 0-100%	
3CH	0-255	G 0-100%	
4CH	0-255	B 0-100%	
5CH	0-255	W 0-100%	

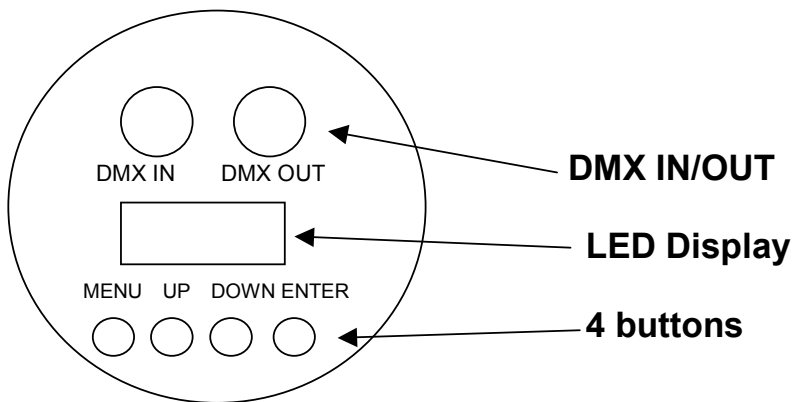
➤ 8 Channel Mode

Channel	DMX Value	Control Function	Remarks	Priority
1CH	0-255	(General dimming)		1
2CH	0-255	Red dimming 0—100%		
3CH	0-255	Green dimming 0—100%		
4CH	0-255	Blue dimming 0—100%		
5CH	0-255	White 0—100%		
6CH	0-14	Dimming	When 7CH>31, this function is invalid.	2
	15-255	Strobe Speed		
7CH	0-31	Invalid	Must use CH1,2,3,4,5, otherwise no light. Speed adjustment from 8CH	3
	32-63	From dark to bright		
	64-95	From bright to dark		
	96-127	From dark—bright—dark		
	128-159	RGB Gradient		
	160-191	dark—bright—dark auto run		
	192-223	4 colors jumping change		
224-255	Multi-colors jumping change			
8CH	0-255	Speed Adjustment (7CH)		

➤ 9 Channel Mode

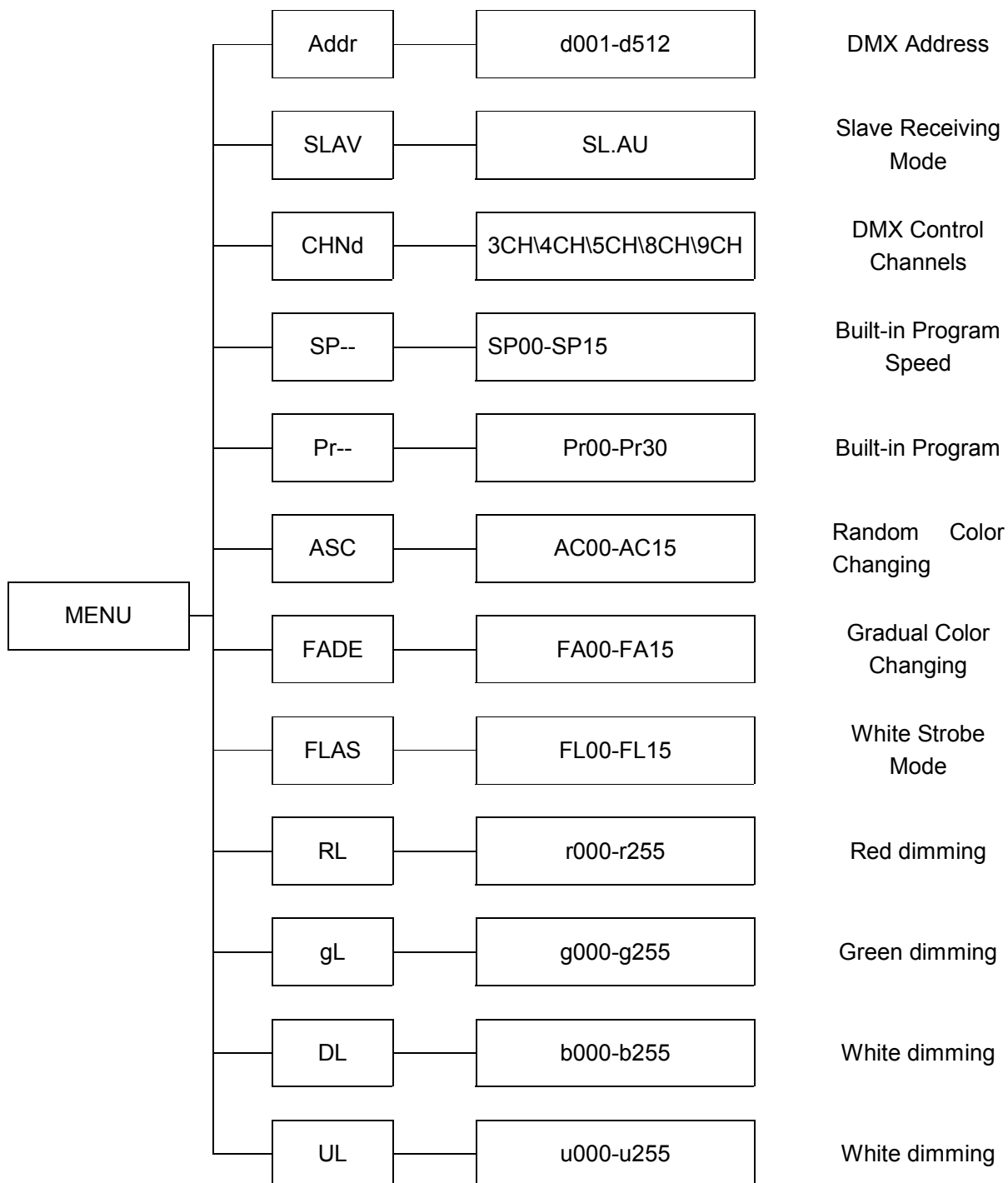
Channel	DMX Value	Control Function	Remarks	Priority
1CH	0-255	(General dimming)		1
2CH	0-255	Red dimming 0—100%		
3CH	0-255	Green dimming 0—100%		
4CH	0-255	Blue dimming 0—100%		
5CH	0-255	White 0—100%		
6CH	0-14	Dimming	When 7CH>31, this function is invalid.	2
	15-255	Strobe Speed		
7CH	0-31	Invalid	Must use CH1,2,3,4,5, otherwise no light. Speed adjustment from 8CH	3
	32-63	From dark to bright		
	64-95	From bright to dark		
	96-127	From dark—bright—dark		
	128-159	RGB Gradient		
	160-191	dark—bright—dark auto run		
	192-223	4 colors jumping change		
	224-255	Multi-colors jumping change		
8CH	0-255	Speed Adjustment (7CH)		
9CH	0-5	Set by LCD display		
	6-55	DIMMER0		
	56-105	DIMMER1		
	106-155	DIMMER2		
	156-205	DIMMER3		
	206-255	DIMMER4		

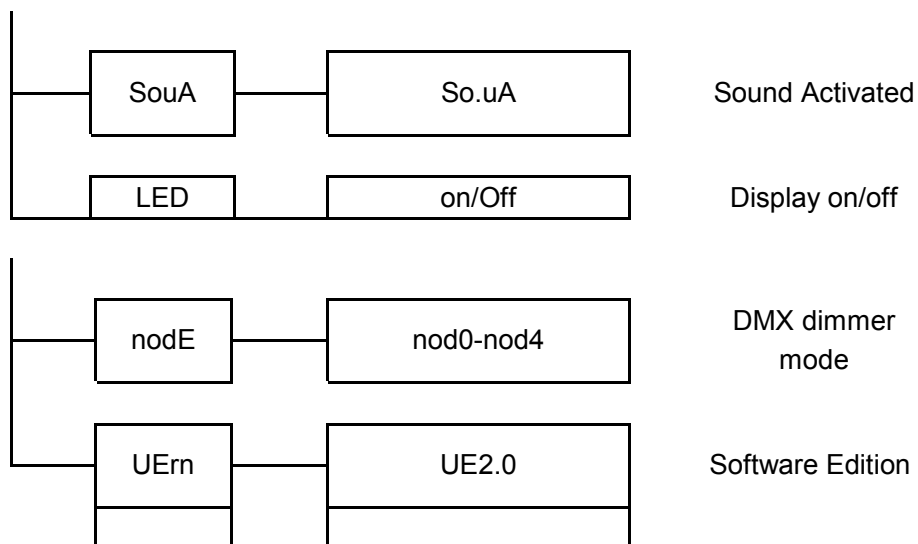
Display



- MENU : access the menu or return to a previous menu option
- ENTER: select the current menu option
- UP: menu selection or parameter increments
- DOWN: menu selection or parameters decrease

Menu





1. Operating instructions:

MENU (UP/DOWN) +ENTER+UP/DOWN) +ENTER

To Set The DMX Address:

- Press the MENU button
- Press UP/DOWN, display "Addr"
- Press ENTER, the display will flash
- Press UP/DOWN to change the address
- Press ENTER to select, DMX address will be stored automatically and the screen will stop flashing.

To Set The Control Mode:

- Press MENU
- Press UP/DOWN, display "CHnd"
- Press ENTER, the display will flash
- Press UP/DOWN to select the control mode that you need: 3CH, 4CH, 5CH, etc.
- Press ENTER, control mode will be stored automatically and the screen will stop flashing.

To set Automatic Effects Programming (Pr- -)

- Press MENU
- Press UP / DOWN to display Pr--
- Press ENTER, the display will flash
- Press UP / DOWN to select the desired effect number.
 - Pr00 through Pr13 produce single colors to multi colors
 - Pr14 through Pr28 repeat what Pr00 through Pr13 do, adding strobe effect.
 - Pr14 through Pr30 are all effects that can be controlled by the speed setting (SP). SP00 is the fastest speed with SP15 being the slowest.
 - Pr29 provides rotation through Red, Green, Blue and White.
 - Pr30 provides rotation through various colors.
- Press ENTER, effects number will be stored automatically and the screen will stop flashing.

➤ **Master/Slave**

Multiple fixtures can be operated simultaneously without a control board by connecting each fixture with DMX control cable and using one fixture as “Master” and the others as “Slave”. The “Master” fixture will then synchronize with the “Slave” units.

To use this feature, make sure there is nothing plugged into the “DMX IN” on the fixture “Master”. Daisy-chain from the “Master” “DMX OUT” to the “Slave” fixtures. Set the DMX address on every “Slave” unit to A001. Only one light within a group can serve as “Master”.

If the length of DMX data cables extend more than 180’ or there are more than 20 fixtures being used as “Slaves”, the DMX signal will need to be boosted.

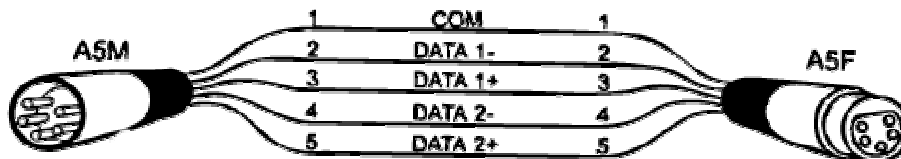
Connecting Fixtures

➤ **DMX Cable:**

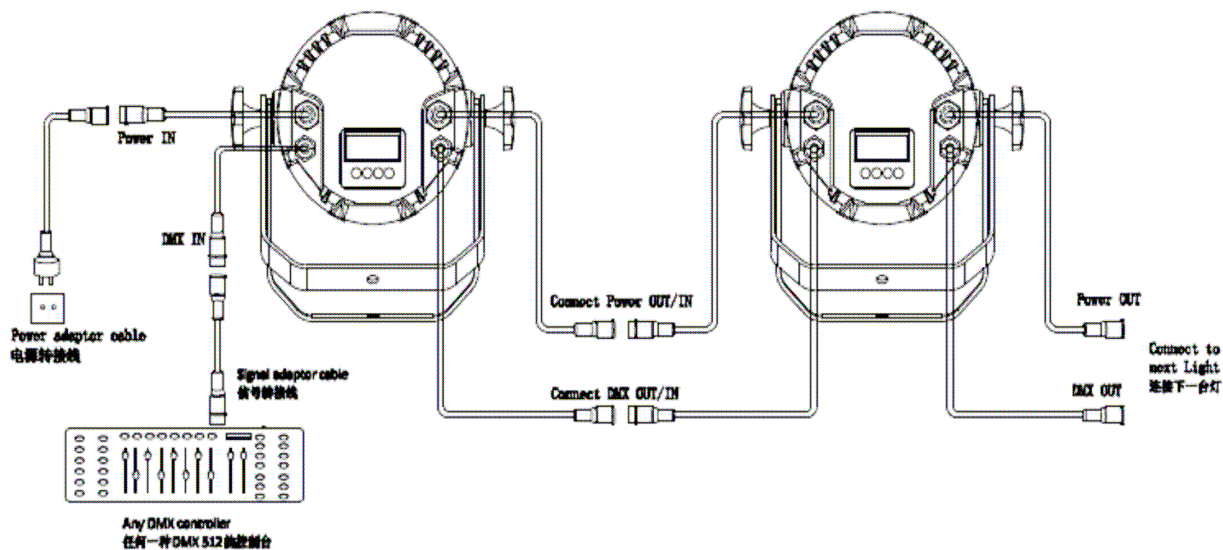
Using 5-Pin DMX data cable, connect the male end to your console, and the female end to the “DMX IN” connector on your fixture. Using additional data cable, you can connect a string of fixtures by feeding from “DMX OUT” on one fixture to “DMX IN” on each additional fixture in the chain.

DMX signal must “daisy-chain”. The use of a “Y” adapter to split the signal will cause the

fixtures to function incorrectly.



Connecting Diagram



Technical Specification

- Input voltage: AC 100V-264V/47-63HZ
- Output voltage:DC24V
- Consume:120W
- Lamp Type:4-in-1 LED

- Lamp Spec: High Power 8W (18PCS)
- Constant current driver:500MA
- PWM Dimmer: >400HZ(16666 grades)
- Refresh rate:>400HZ
- Life span: 50000~100000hours
- Control Signal: DMX512, sound activated, auto run
- Control mode: stand alone/ sound activated
- Channel: 3CH-4CH-5CH-8CH-9CH
- Color effect: RGBW color mixing
- Function Effect: dimmer, strobe, gradual change, sound activated
- Beam Angle: 25°,45°
- Cooling mode: Natural Convection
- Anti-electricity intension: 1.5KV
- Insulation Resistance:> 2 MΩ
- Size:284*193*254mm
- Net Weight: 11.3 lbs

Optional Accessories

Item	Part #
5 Pin Male to 3 Pin Female Data Adapter	WIR 5PM3PF
C-Clamp	ACC CC
Safety Cable	HRD SAFE
5 Pin Data Cables (10')	WIR 5010